

Outdoor Wall Light

WALL-SQUARE-P-8W

Picture



Description

Type LED Outdoor Wall Light  
Connection Wire

Electrical Parameters

Gr. Power 8W ±5%  
InputVoltage AC100-277V  
Driver Internal  
Dimmable Not dim.

Lighting Parameters

Beam Angle 120  
Colors 3000°K; 4000°K; 5000°K; 5700°K  
Lumens 600-670  
CRI 80Ra

Structure Parameters

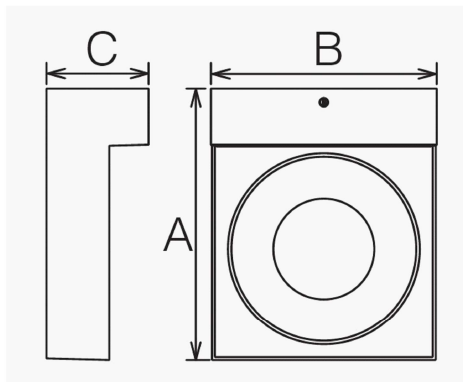
Fixture Color Black  
Cover Milky  
Dimensions A139\*B115\*C52

Protection Parameters

Rating IP65  
Electrical Class Class I  Class II  Class III   
Lifetime  
Warranty (Years) 2

Options

Dimmable Triac  0-10V  1-10V  DALI   
CRI >90Ra  >92Ra  >95Ra  >98Ra   
Other



Sizes in mm

Packing

UnitVolum (CBM) 0,0015708  
Unit GW (kg) 0,57  
Qty per carton 24