

Outdoor Wall Light

WALL-ROUND-P-8W



Source	LED
Connection	Wire
Gr. Power	8W ±5%
Input Voltage	AC100-277V
Driver	Internal
Control (standard)	Not dim.
Dimming option	
Beam Angle (°)	120
CCT (Kelvins)	3000°K; 4000°K; 5000°K; 5700°K
Lumens	600-655
Luminaire efficiency	82 Lm/W
CRI (standard)	>80Ra
for option	
Fixture Color	Black
Cover	Milky
Dimensions	170*140*59
Protection Rating	IP65/IK08
Electrical Class	Class I
Lifetime	>50.000h
Warranty	2 Years

Other

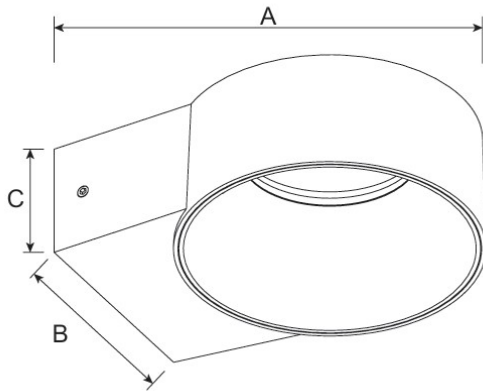
Standard Packing Details

Unit Volum (CBM)	0,00275
Unit GW (kg)	0,69
Qty per carton	24

Outdoor Wall Light

WALL-ROUND-P-8W

Sizes drawing

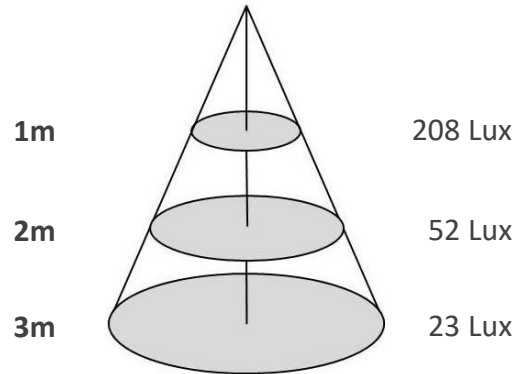


WALL-ROUND-P-8W.drw

in mm

Illumination Diagram

655Lm with 120° beam



WALL-ROUND-P-8W.lux

