

Triproof Lamp

TRIPROOF1500B-P-50W



Source	LED Epistar
Connection	Wire
Gr. Power	50W ±5%
Input Voltage	AC220-265V
Driver	Osram
Control (standard)	Not dim.
Dimming option	
Beam Angle (°)	180
CCT (Kelvins)	3000°K; 4000°K; 6000°K
Lumens	140, 160 or 180Lm/W
Luminaire efficiency	180Lm/W
CRI (standard)	>80Ra
for option	>90Ra
Fixture Color	White
Cover	PC
Dimensions	A: 1395mm
Protection Rating	IP66/IK08/IP69K
Electrical Class	Class I
Lifetime	>50.000h
Warranty	5 Years

Other

CCT switch (3000, 4000 & 6000K) and Power switch (35, 42 & 50W). For option: Linkable; Suspending kit

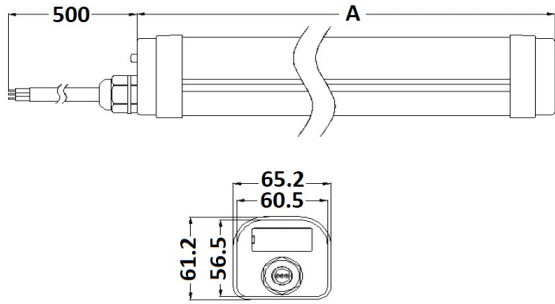
Standard Packing Details

Unit Volum (CBM)	0,01058
Unit GW (kg)	1,55
Qty per carton	12

Triproof Lamp

TRIPROOF1500B-P-50W

Sizes drawing

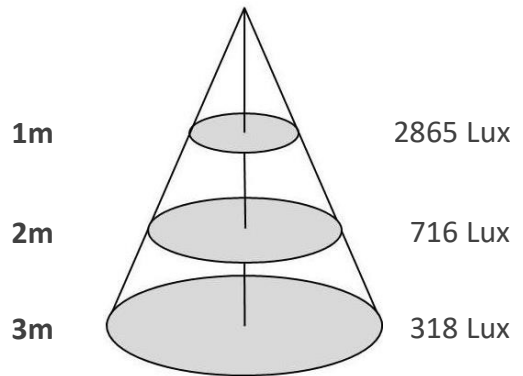


TRIPROOF1500B-P-50W.drw

in mm

Illumination Diagram

9000Lm with 180° beam



TRIPROOF1500B-P-50W.lux

