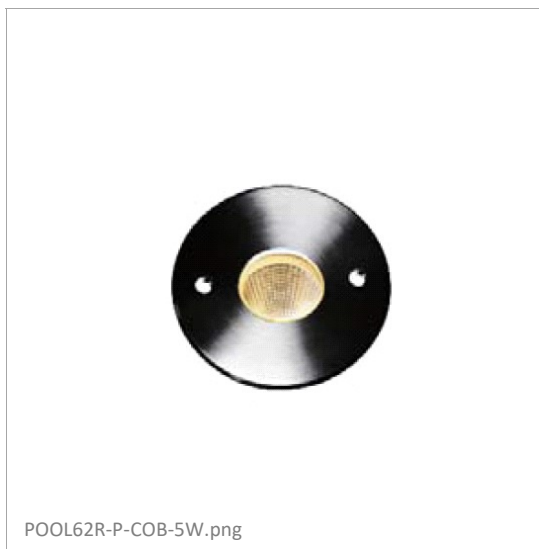


Underwater Light

POOL62R-P-COB-5W



| | |
|-----------------------------|--------------------------------------|
| Source | LED |
| Connection | Wire |
| Gr. Power | 5W ±5% |
| Input Voltage | DC24V |
| Driver | Not Included |
| Control (standard) | Not dim. |
| Dimming option | Dimmable |
| Beam Angle (°) | ASY 20*40/15/25/45/60/15*45 |
| CCT (Kelvins) | WW; DL; CW; Red; Green; Blue; Yellow |
| Lumens | 450 |
| Luminaire efficiency | 90 Lm/W |
| CRI (standard) | >80Ra |
| for option | |
| Fixture Color | SS316 |
| Cover | Clear |
| Dimensions | dia 62*75(86*133)mm |
| Protection Rating | IP68/IK08 |
| Electrical Class | Class III |
| Lifetime | >50.000h |
| Warranty | 3 Years |

Standard Packing Details

| | |
|-------------------------|---------|
| Unit Volum (CBM) | 0,00163 |
| Unit GW (kg) | 1,3 |
| Qty per carton | 18 |

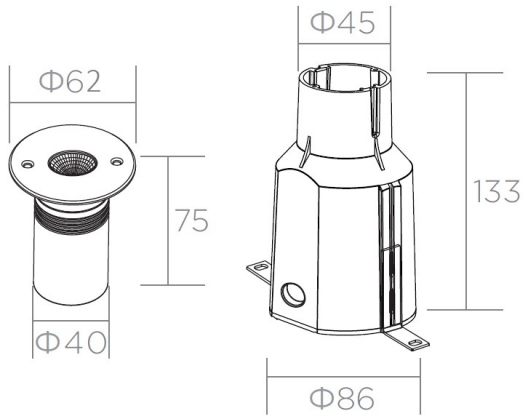
Other

In option: Mounting bracker, tripod, RGB; RGBW; DMX; available in COB

Underwater Light

POOL62R-P-COB-5W

Sizes drawing

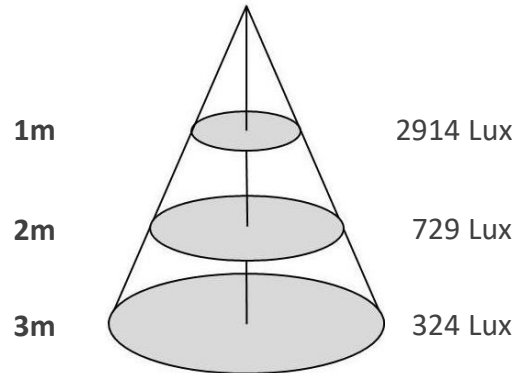


POOL62R-P-COB-5W.drw

in mm

Illumination Diagram

450Lm with 25° beam



POOL62R-P-COB-5W.lux

Optic type:



Standard

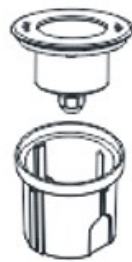


COB



COB Asym

Mounting:



Recessed with sleeve



Bracket



Tripod