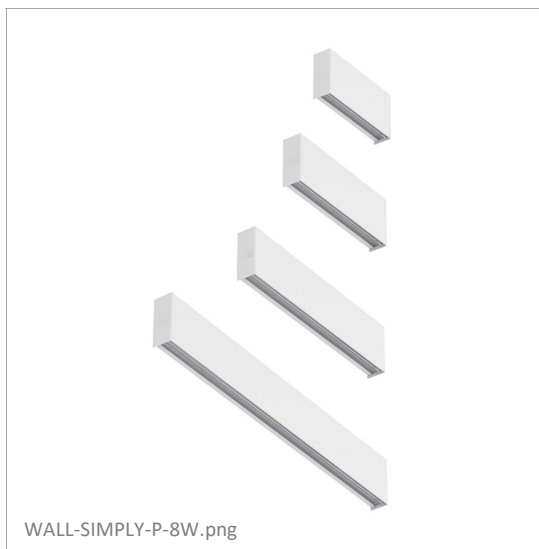


WALL-SIMPLY-P-8W



Source	LED
Connection	Wire
Gr. Power	8W ±5%
Input Voltage	AC220-240V
Driver	Internal
Control (standard)	Not dim.
Dimming option	Triac dim.
Beam Angle (°)	40
CCT (Kelvins)	3000°K; 4000°K; 5000°K
Lumens	700-1000
Luminaire efficiency	125Lm/W
CRI (standard)	>80Ra
for option	
Fixture Color	White; Black
Cover	PMMA
Dimensions	A:180*B:38,5*C:90mm
Protection Rating	IP20/IK08
Electrical Class	Class I
Lifetime	>50.000h
Warranty	3 Years

Standard Packing Details

Unit Volum (CBM)	0,00207
Unit GW (kg)	0,57
Qty per carton	12

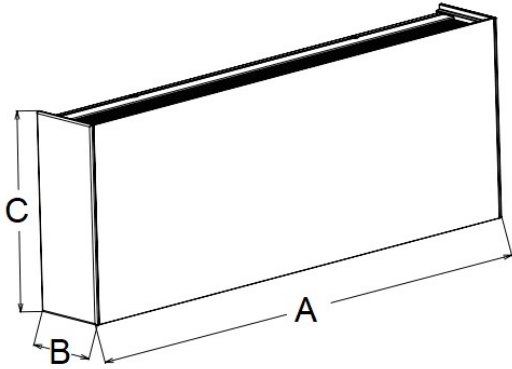
Other

Exists in 8, 10, 16 and 20W. For option: 2 CCT switch 3000K+4000K

Wall Light

WALL-SIMPLY-P-8W

Sizes drawing

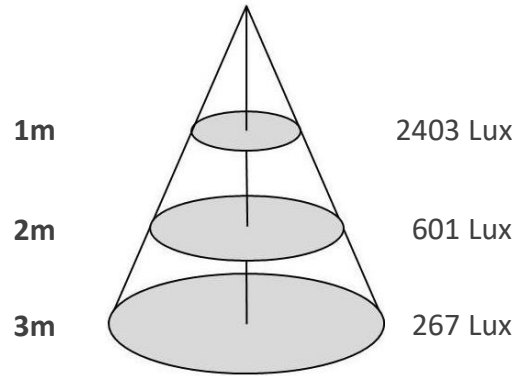


WALL-SIMPLY-P-8W.drw

in mm

Illumination Diagram

1000Lm with 40° beam



WALL-SIMPLY-P-8W.lux

