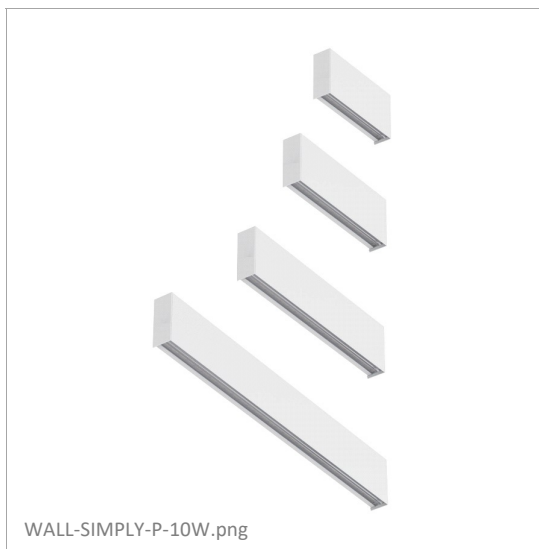


Wall Light

WALL-SIMPLY-P-10W



Source	LED
Connection	Wire
Gr. Power	10W ±5%
Input Voltage	AC220-240V
Driver	Internal
Control (standard)	Not dim.
Dimming option	Triac dim.
Beam Angle (°)	40
CCT (Kelvins)	3000°K; 4000°K; 5000°K
Lumens	900-1200
Luminaire efficiency	120Lm/W
CRI (standard)	>80Ra
for option	
Fixture Color	White; Black
Cover	PMMA
Dimensions	A:240*B:38,5*C:90mm
Protection Rating	IP20/IK08
Electrical Class	Class I
Lifetime	>50.000h
Warranty	3 Years

Other
Exists in 8, 10, 16 and 20W. For option: 2 CCT switch
3000K+4000K

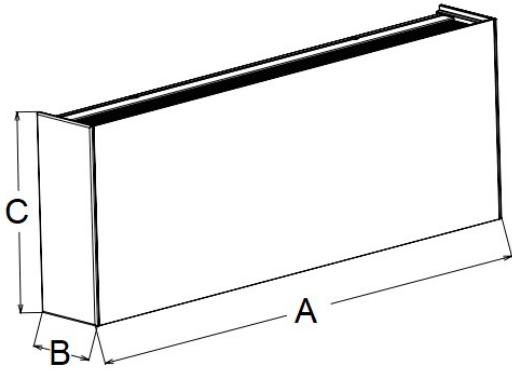
Standard Packing Details

Unit Volum (CBM)	0,00259
Unit GW (kg)	0,79
Qty per carton	12

Wall Light

WALL-SIMPLY-P-10W

Sizes drawing

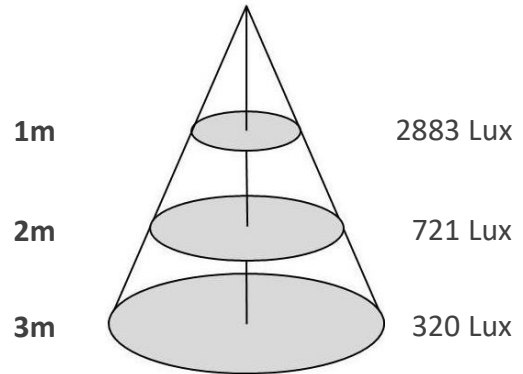


WALL-SIMPLY-P-10W.drw

in mm

Illumination Diagram

1200Lm with 40° beam



WALL-SIMPLY-P-10W.lux

