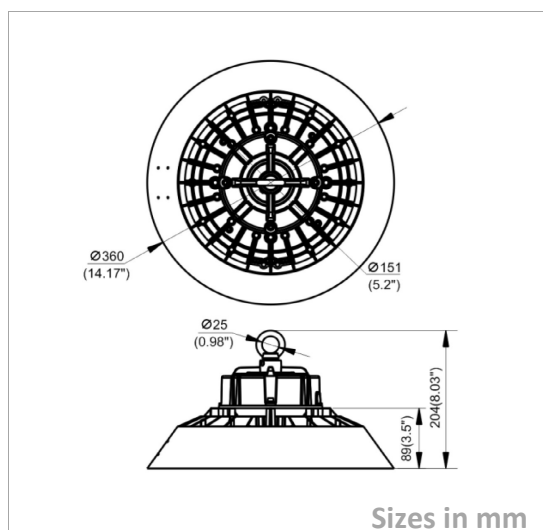


UFO-HB08-P-200W

Picture



Sizes in mm

Packing

Unit Volum (CBM)	0,0548964
Unit GW (kg)	7,6
Qty per carton	1

Description

Type	LED Highbay
Connection	Wire

Electrical Parameters

Gr. Power	200W $\pm 5\%$
Input Voltage	AC100-240V
Driver	Meanwell
Dimmable	Not dim.

Lighting Parameters

Beam Angle	120
Colors	3000°K; 4000°K; 5000°K
Lumens	140Lm/W
CRI	80Ra

Structure Parameters

Fixture Color	Black
Cover	Clear
Dimensions	dia360x205mm

Protection Parameters

Rating	IP65
Electrical Class	Class I <input checked="" type="checkbox"/> Class II <input type="checkbox"/> Class III <input type="checkbox"/>
Lifetime	>50.000h
Warranty (Years)	5

Options

Dimmable	Triac <input type="checkbox"/> 0-10V <input type="checkbox"/> 1-10V <input checked="" type="checkbox"/> DALI <input checked="" type="checkbox"/>
CRI	>90Ra <input type="checkbox"/> >92Ra <input type="checkbox"/> >95Ra <input type="checkbox"/> >98Ra <input type="checkbox"/>
Other	in option: 60 or 90° Lens; Alum. Reflector; PC reflector; bracket