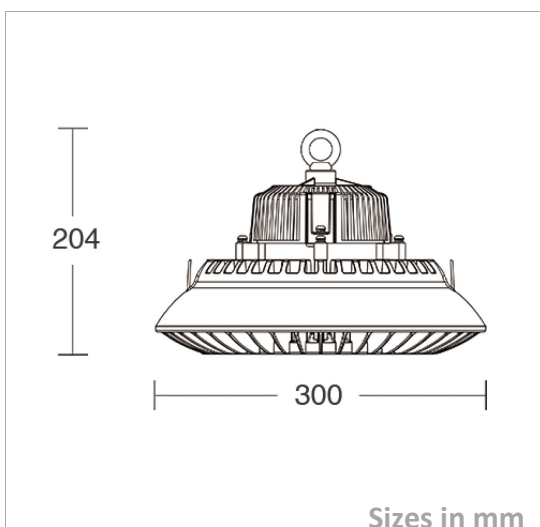


UFO-BT2-P-100W

Picture



Packing

| | |
|-----------------|-----------|
| UnitVolum (CBM) | 0,0412335 |
| Unit GW (kg) | 5,6 |
| Qty per carton | 1 |

Description

| | |
|------------|-------------|
| Type | LED Highbay |
| Connection | Wire |

Electrical Parameters

| | |
|--------------|-----------|
| Gr. Power | 100W ±5% |
| InputVoltage | AC90-305V |
| Driver | Meanwell |
| Dimmable | Not dim. |

Lighting Parameters

| | |
|------------|---------------------------------|
| Beam Angle | 120 |
| Colors | 2700°K; 3000°K; 4000°K; 5000°K; |
| Lumens | 12500 |
| CRI | 80Ra |

Structure Parameters

| | |
|---------------|--------------------|
| Fixture Color | White; Black; Grey |
| Cover | Clear |
| Dimensions | dia 300x204mm |

Protection Parameters

| | |
|------------------|--|
| Rating | IP65 & IK08 |
| Electrical Class | Class I <input checked="" type="checkbox"/> Class II <input type="checkbox"/> Class III <input type="checkbox"/> |
| Lifetime | L70>100.000h |
| Warranty (Years) | 5 |

Options

| | |
|----------|--|
| Dimmable | Triac <input type="checkbox"/> 0-10V <input type="checkbox"/> 1-10V <input checked="" type="checkbox"/> DALI <input checked="" type="checkbox"/> |
| CRI | >90Ra <input checked="" type="checkbox"/> >92Ra <input type="checkbox"/> >95Ra <input type="checkbox"/> >98Ra <input type="checkbox"/> |
| Other | in option: 60 or 90° Alum. & 70° PC reflector; Sensor; Bracket; Shield; Wire-guard; 200-520V |