

## Triproof Lamp

### TRIPROOF1200B-P-36W



<b>Source</b>	LED Epistar
<b>Connection</b>	Wire
<b>Gr. Power</b>	36W ±5%
<b>Input Voltage</b>	AC220-265V
<b>Driver</b>	Osram
<b>Control (standard)</b>	Not dim.
<b>Dimming option</b>	
<b>Beam Angle (°)</b>	180
<b>CCT (Kelvins)</b>	3000°K; 4000°K; 6000°K
<b>Lumens</b>	140, 160 or 180Lm/W
<b>Luminaire efficiency</b>	180Lm/W
<b>CRI (standard)</b>	>80Ra
<b>for option</b>	>90Ra
<b>Fixture Color</b>	White
<b>Cover</b>	PC
<b>Dimensions</b>	A: 1095mm
<b>Protection Rating</b>	IP66/IK08/IP69K
<b>Electrical Class</b>	Class I
<b>Lifetime</b>	>50.000h
<b>Warranty</b>	5 Years

#### Standard Packing Details

<b>Unit Volum (CBM)</b>	0,00796
<b>Unit GW (kg)</b>	1,42
<b>Qty per carton</b>	12

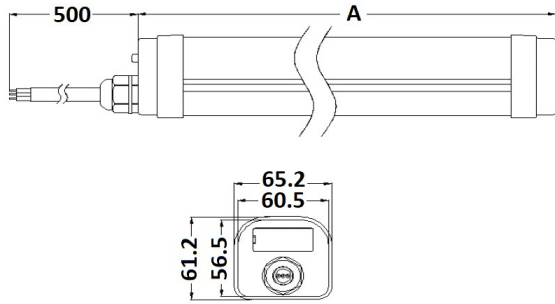
#### Other

CCT switch (3000, 4000 & 6000K) and Power switch (20, 28 & 36W). For option: Linkable; Suspending kit

Triproof Lamp

TRIPROOF1200B-P-36W

Sizes drawing

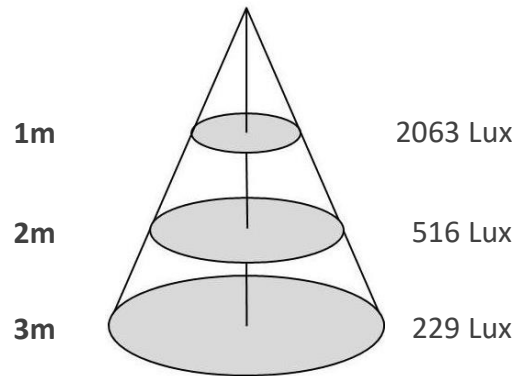


TRIPROOF1200B-P-36W.drw

in mm

Illumination Diagram

6480Lm with 180° beam



TRIPROOF1200B-P-36W.lux

