

Track Light

TRACK2A-COB-14W

Picture



Description

Type	LED Track Light
Connection	2 wires; 3 wires; 4 wires

Electrical Parameters

Gr. Power	14W ±5%
InputVoltage	AC220-240V
Driver	Osram
Dimmable	Not dim.

Lighting Parameters

Beam Angle	30/38/60
Colors	3000°K; 4000°K; 6000°K
Lumens	1600
CRI	90Ra

Structure Parameters

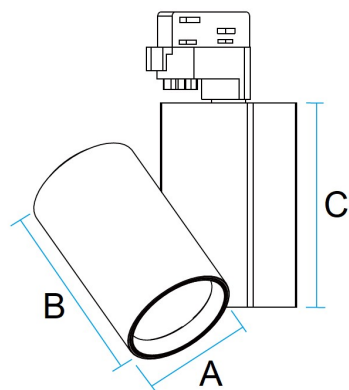
Fixture Color	White; Black
Cover	Stripped
Dimensions	A65*B115*C130mm

Protection Parameters

Rating	Indoor Use
Electrical Class	Class II
Lifetime	LM79; LM80
Warranty (Years)	5

Options

Dimmable	Triac <input type="checkbox"/> 0-10V <input type="checkbox"/> 1-10V <input type="checkbox"/> DALI <input type="checkbox"/>
CRI	>90Ra <input type="checkbox"/> >92Ra <input type="checkbox"/> >95Ra <input type="checkbox"/> >98Ra <input type="checkbox"/>
Other	in option: Dim, CCT & Angle switch; Anti-glare Louver, LEDIL lens & Cups; Zoomable; Shapable; Flaps



Sizes in mm

Packing

UnitVolum (CBM)	0,004437
Unit GW (kg)	0,85
Qty per carton	24