

Track Light

TRACK-MINI-P-8W

Picture



Description

Type LED Track Light
Connection 4 wires

Electrical Parameters

Gr. Power 8W ±5%
InputVoltage AC220-240V
Driver Internal
Dimmable Not dim.

Lighting Parameters

Beam Angle 36
Colors 2700°K; 3000°K; 4000°K; 5000°K
Lumens 540-600
CRI 80Ra

Structure Parameters

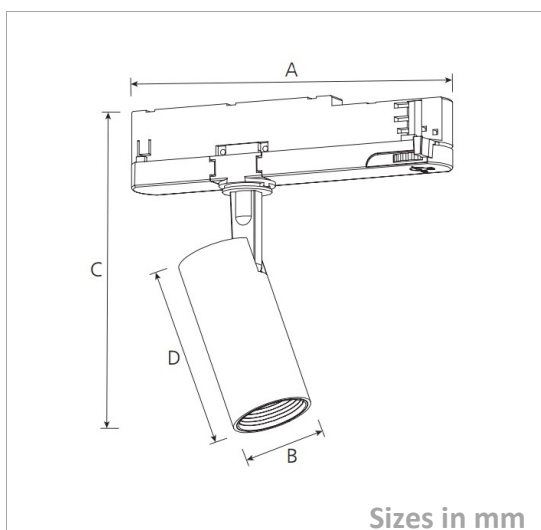
Fixture Color White; Black
Cover Clear
Dimensions A196*B46*C180*D100mm

Protection Parameters

Rating IP20
Electrical Class Class I Class II Class III
Lifetime >50.000h
Warranty (Years) 3

Options

Dimmable Triac 0-10V 1-10V DALI
CRI >90Ra >92Ra >95Ra >98Ra
Other



Packing

UnitVolum (CBM) 0,0038352
Unit GW (kg) 0,38
Qty per carton 30