

Underwater Light

POOL250R-P-36W



Source	LED
Connection	Wire
Gr. Power	36W ±5%
Input Voltage	DC24V
Driver	Not Included
Control (standard)	Not dim.
Dimming option	Dimmable
Beam Angle (°)	ASY 20*40/15/25/45/60/15*45
CCT (Kelvins)	WW; DL; CW; Red; Green; Blue; Yellow
Lumens	3000-3200
Luminaire efficiency	89 Lm/W
CRI (standard)	>80Ra
for option	
Fixture Color	SS316
Cover	Clear
Dimensions	dia 250*70(232*126)mm
Protection Rating	IP68/IK08
Electrical Class	Class III
Lifetime	>50.000h
Warranty	3 Years

Other
In option: Mounting bracker, tripod, RGB; RGBW; DMX; available in COB

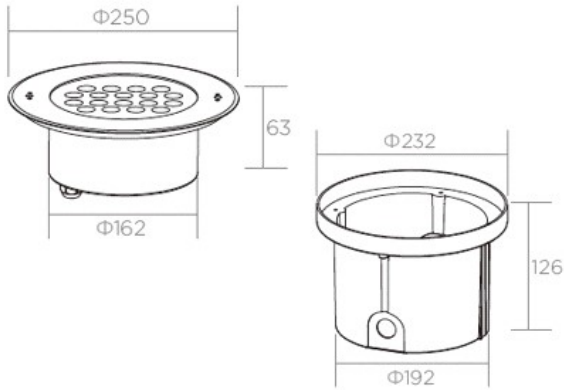
Standard Packing Details

Unit Volum (CBM)	0,01157
Unit GW (kg)	4,5
Qty per carton	4

Underwater Light

POOL250R-P-36W

Sizes drawing

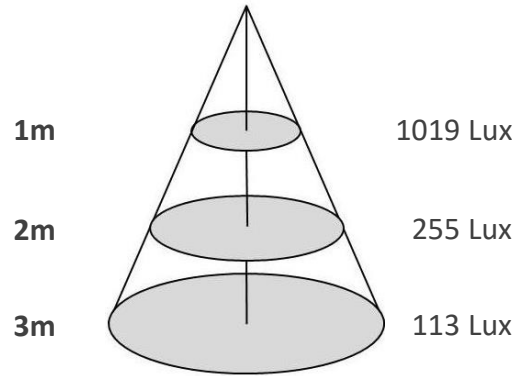


POOL250R-P-36W.drw

in mm

Illumination Diagram

3200Lm with 3025° beam



POOL250R-P-36W.lux

Optic type:



Standard



COB



COB Asym

Mounting:



Recessed with sleeve



Bracket



Tripod