

Underwater Light

POOL160R-P-12W



Source	LED
Connection	Wire
Gr. Power	12W ±5%
Input Voltage	DC24V
Driver	Not Included
Control (standard)	Not dim.
Dimming option	Dimmable
Beam Angle (°)	ASY 20*40/15/25/45/60/15*45
CCT (Kelvins)	WW; DL; CW; Red; Green; Blue; Yellow
Lumens	840-950
Luminaire efficiency	79 Lm/W
CRI (standard)	>80Ra
for option	
Fixture Color	SS316
Cover	Clear
Dimensions	dia 160*55(148*117)mm
Protection Rating	IP68/IK08
Electrical Class	Class III
Lifetime	>50.000h
Warranty	3 Years

Standard Packing Details

Unit Volum (CBM)	0,00643
Unit GW (kg)	2,14
Qty per carton	8

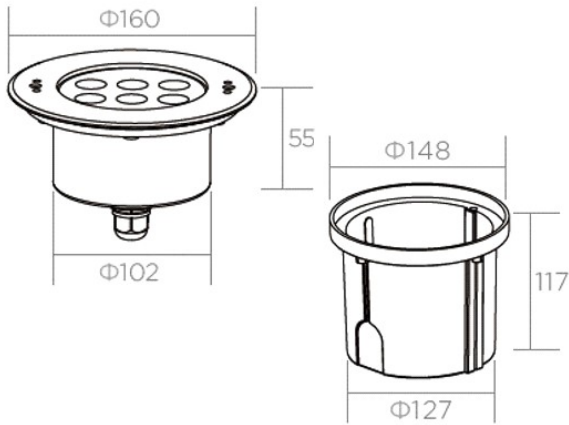
Other

In option: Mounting bracker, tripod, RGB; RGBW; DMX; available in COB

Underwater Light

POOL160R-P-12W

Sizes drawing

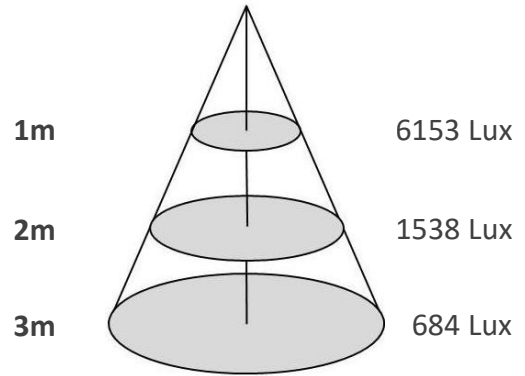


POOL160R-P-12W.drw

in mm

Illumination Diagram

950Lm with 25° beam



POOL160R-P-12W.lux

Optic type:



Standard



COB



COB Asym

Mounting:



**Recessed
with sleeve**



Bracket



Tripod