

Neon Flex Strip

NEON-FLEX-SD1023-120-14W /m

Picture



Description

Type	LED Neon Flex Strip
Connection	Wire

Electrical Parameters

Gr. Power	14,4W ±5%
InputVoltage	DC24V
Driver	Not Included
Dimmable	Dimmable

Lighting Parameters

Beam Angle	240
Colors	WWY; WW; DL; CW; Red; Green;
Lumens	2400-2600
CRI	80Ra

Structure Parameters

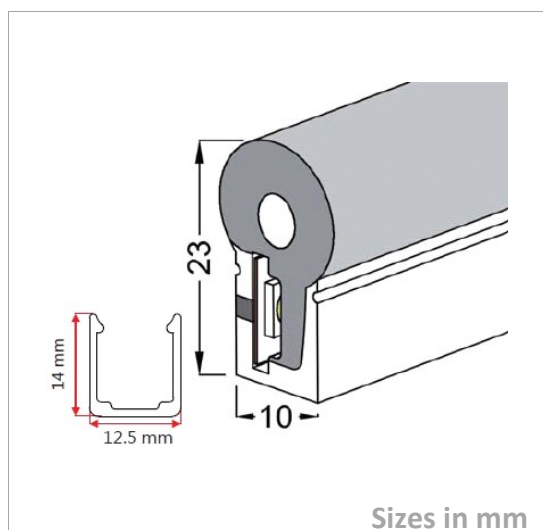
Fixture Color	White
Cover	Milky
Dimensions	10*23mm (roll 5m)

Protection Parameters

Rating	IP67
Electrical Class	Class III
Lifetime	>50.000h
Warranty (Years)	3

Options

Dimmable	Triac <input type="checkbox"/> 0-10V <input type="checkbox"/> 1-10V <input type="checkbox"/> DALI <input type="checkbox"/>
CRI	>90Ra <input type="checkbox"/> >92Ra <input type="checkbox"/> >95Ra <input type="checkbox"/> >98Ra <input type="checkbox"/>
Other	Accessories in option: Right/Left/Bottom Wiring; End-cap; Clip; Profil; Flex. Profil



Packing

UnitVolum (CBM)	0,00159936
Unit GW (kg)	0,6
Qty per carton	20