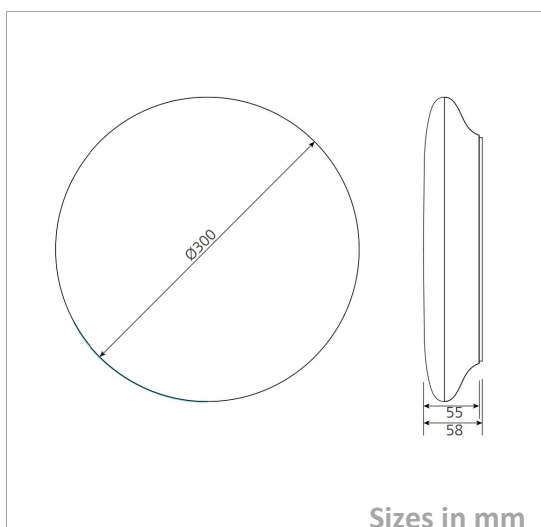


## Ceiling Lamp

### IGLOO300-18W

#### Picture



#### Packing

UnitVolum (CBM)	0,00937125
Unit GW (kg)	1,25
Qty per carton	10

#### Description

Type	LED Ceiling Lamp
Connection	Wire

#### Electrical Parameters

Gr. Power	18W ±5%
InputVoltage	AC100-240V
Driver	Internal
Dimmable	Not dim.

#### Lighting Parameters

Beam Angle	120
Colors	3000°K; 4000°K; 5000°K; 5700°K
Lumens	1790-1900
CRI	80Ra

#### Structure Parameters

Fixture Color	White; Black; Silver
Cover	Milky
Dimensions	dia300*58mm

#### Protection Parameters

Rating	IP54/IK10
Electrical Class	Class I <input type="checkbox"/> Class II <input checked="" type="checkbox"/> Class III <input type="checkbox"/>
Lifetime	>50.000h
Warranty (Years)	3

#### Options

Dimmable	Triac <input checked="" type="checkbox"/> 0-10V <input type="checkbox"/> 1-10V <input type="checkbox"/> DALI <input type="checkbox"/>
CRI	>90Ra <input checked="" type="checkbox"/> >92Ra <input type="checkbox"/> >95Ra <input type="checkbox"/> >98Ra <input type="checkbox"/>
Other	For option: Motion Sensor, Daylight Sensor, CCT switch, Emergency