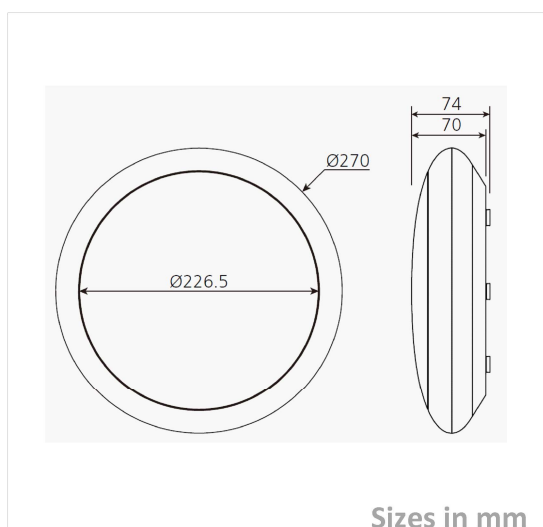


## Outdoor Light

### IGLOO270-P-IP65-12W

#### Picture



#### Packing

UnitVolum (CBM)	0,00959616
Unit GW (kg)	1,2
Qty per carton	10

#### Description

Type	LED Outdoor Light
Connection	Wire

#### Electrical Parameters

Gr. Power	12W ±5%
InputVoltage	AC240V
Driver	Internal
Dimmable	Not dim.

#### Lighting Parameters

Beam Angle	120
Colors	3000°K; 4000°K; 5000°K; 5700°K
Lumens	1100-1280
CRI	80Ra

#### Structure Parameters

Fixture Color	White
Cover	Milky
Dimensions	dia270*70mm

#### Protection Parameters

Rating	IP65/IK10
Electrical Class	Class I <input checked="" type="checkbox"/> Class II <input type="checkbox"/> Class III <input type="checkbox"/>
Lifetime	>50.000h
Warranty (Years)	3

#### Options

Dimmable	Triac <input checked="" type="checkbox"/> 0-10V <input checked="" type="checkbox"/> 1-10V <input type="checkbox"/> DALI <input checked="" type="checkbox"/>
CRI	>90Ra <input type="checkbox"/> >92Ra <input type="checkbox"/> >95Ra <input type="checkbox"/> >98Ra <input type="checkbox"/>
Other	