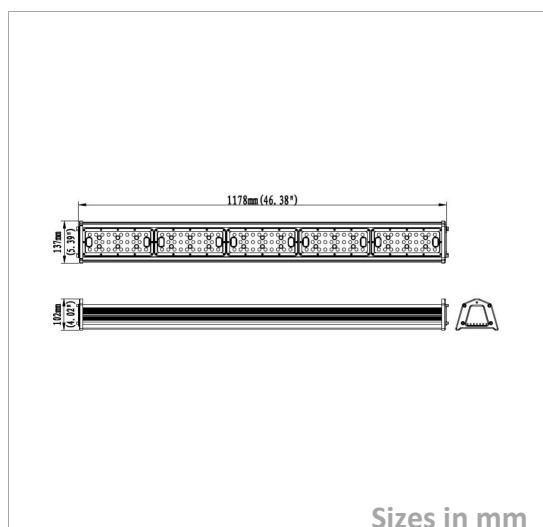
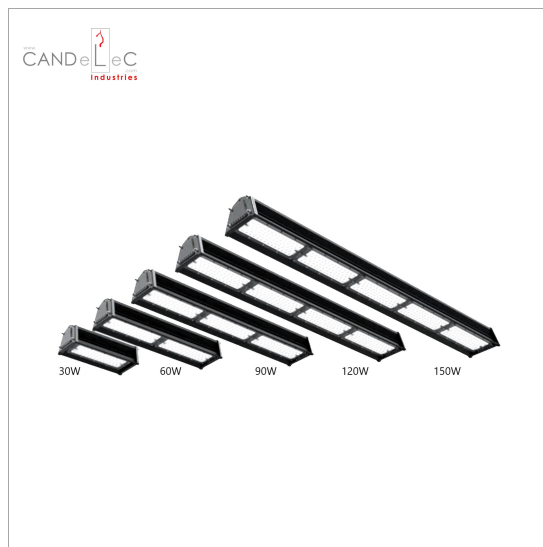


HBL01-P-150W

Picture



Packing

Unit Volum (CBM)	0,05089392
Unit GW (kg)	8
Qty per carton	1

Description

Type	LED Highbay
Connection	Wire

Electrical Parameters

Gr. Power	150W ±5%
Input Voltage	AC200-240V
Driver	Sosen
Dimmable	Not dim.

Lighting Parameters

Beam Angle	90/120/50*90/30*70/40*120°
Colors	3000°K; 4000°K; 5000°K
Lumens	24750
CRI	80Ra

Structure Parameters

Fixture Color	Black
Cover	Lens
Dimensions	1178*137*102mm

Protection Parameters

Rating	IP65/IK10/LM80
Electrical Class	Class I
Lifetime	L90 >61.000h
Warranty (Years)	5

Options

Dimmable	Triac <input type="checkbox"/> 0-10V <input type="checkbox"/> 1-10V <input checked="" type="checkbox"/> DALI <input checked="" type="checkbox"/>
CRI	>90Ra <input type="checkbox"/> >92Ra <input type="checkbox"/> >95Ra <input type="checkbox"/> >98Ra <input type="checkbox"/>
Other	Optional: Suspension cable; Mounting bracket; Safety cable; MeanWell driver