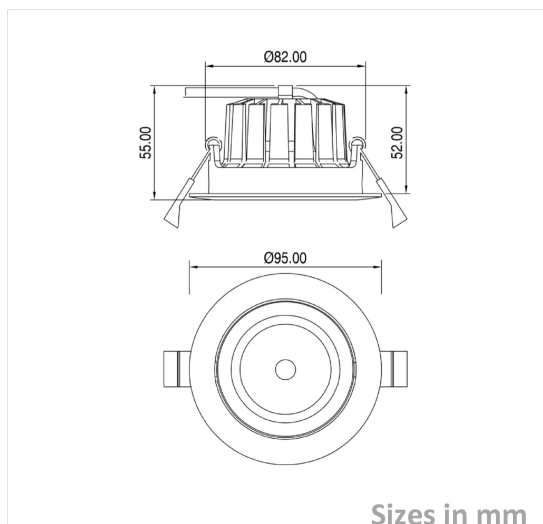


## Downlight Water resistant

### DWR95-C-COB-IP54-10W

#### Picture



#### Packing

UnitVolum (CBM)	0,00156672
Unit GW (kg)	0,39
Qty per carton	48

#### Description

Type	LED Downlight Water resistant
Connection	Wire

#### Electrical Parameters

Gr. Power	10W ±5%
InputVoltage	AC200-240V
Driver	Included
Dimmable	Not dim.

#### Lighting Parameters

Beam Angle	15/24/36/60
Colors	2700°K; 3000°K; 4000°K; 5000°K
Lumens	650-770
CRI	80Ra

#### Structure Parameters

Fixture Color	White
Cover	Clear
Dimensions	dia95*55mm(82-88)

#### Protection Parameters

Rating	IP54; UGR<19
Electrical Class	Class II
Lifetime	>50.000h
Warranty (Years)	5

#### Options

Dimmable	Triac <input checked="" type="checkbox"/> 0-10V <input type="checkbox"/> 1-10V <input type="checkbox"/> DALI <input type="checkbox"/>
CRI	>90Ra <input type="checkbox"/> >92Ra <input type="checkbox"/> >95Ra <input type="checkbox"/> >98Ra <input type="checkbox"/>
Other	