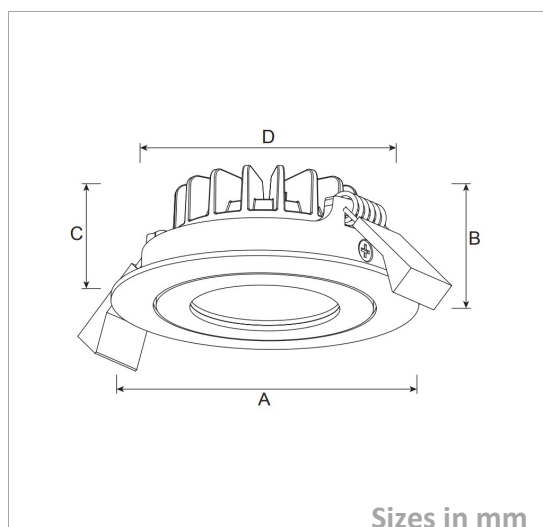


Downlight Water resistant

DWR95-117A-P-8W

Picture



Packing

| | |
|-----------------|----------|
| UnitVolum (CBM) | 0,001938 |
| Unit GW (kg) | 0,32 |
| Qty per carton | 36 |

Description

| | |
|------------|-------------------------------|
| Type | LED Downlight Water resistant |
| Connection | Wire |

Electrical Parameters

| | |
|--------------|------------|
| Gr. Power | 8W ±5% |
| InputVoltage | AC200-240V |
| Driver | Included |
| Dimmable | Not dim. |

Lighting Parameters

| | |
|------------|--------------------------------|
| Beam Angle | 24/36/45 |
| Colors | 2700°K; 3000°K; 4000°K; 5000°K |
| Lumens | 670-785 |
| CRI | 80Ra |

Structure Parameters

| | |
|---------------|-----------------------|
| Fixture Color | White; Chrome |
| Cover | Clear |
| Dimensions | A:95*B:49*C:46*D:80mm |

Protection Parameters

| | |
|------------------|--|
| Rating | IP54/650°GW |
| Electrical Class | Class I <input type="checkbox"/> Class II <input checked="" type="checkbox"/> Class III <input type="checkbox"/> |
| Lifetime | >50.000h |
| Warranty (Years) | 3 |

Options

| | |
|----------|--|
| Dimmable | Triac <input checked="" type="checkbox"/> 0-10V <input type="checkbox"/> 1-10V <input type="checkbox"/> DALI <input type="checkbox"/> |
| CRI | >90Ra <input checked="" type="checkbox"/> >92Ra <input type="checkbox"/> >95Ra <input type="checkbox"/> >98Ra <input type="checkbox"/> |
| Other | |