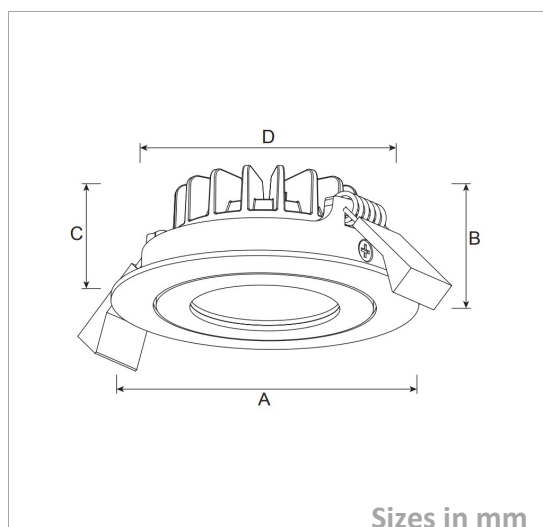


Downlight Water resistant

DWR95-117A-P-10W

Picture



Packing

Unit Volum (CBM)	0,001938
Unit GW (kg)	0,32
Qty per carton	36

Description

Type	LED Downlight Water resistant
Connection	Wire

Electrical Parameters

Gr. Power	10W ±5%
InputVoltage	AC200-240V
Driver	Included
Dimmable	Not dim.

Lighting Parameters

Beam Angle	24/36/45
Colors	2700°K; 3000°K; 4000°K; 5000°K
Lumens	835-1000
CRI	80Ra

Structure Parameters

Fixture Color	White; Chrome
Cover	Clear
Dimensions	A:95*B:49*C:46*D:80mm

Protection Parameters

Rating	IP54/650°GW
Electrical Class	Class I <input type="checkbox"/> Class II <input checked="" type="checkbox"/> Class III <input type="checkbox"/>
Lifetime	>50.000h
Warranty (Years)	3

Options

Dimmable	Triac <input checked="" type="checkbox"/> 0-10V <input type="checkbox"/> 1-10V <input type="checkbox"/> DALI <input type="checkbox"/>
CRI	>90Ra <input checked="" type="checkbox"/> >92Ra <input type="checkbox"/> >95Ra <input type="checkbox"/> >98Ra <input type="checkbox"/>
Other	