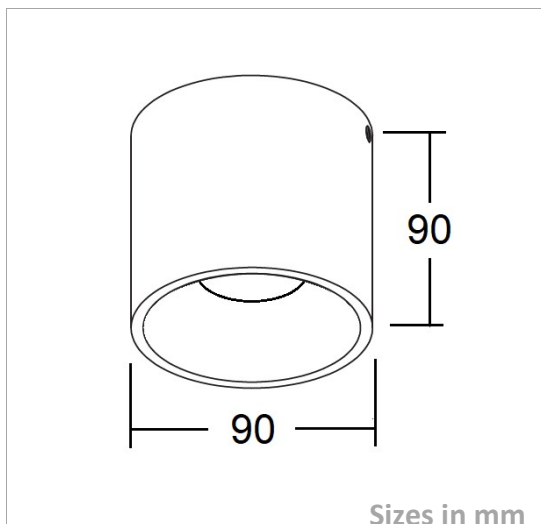


## Surface Downlight

### DWR90-MC-SF-10W

#### Picture



#### Packing

UnitVolum (CBM)	0,00161874
Unit GW (kg)	0
Qty per carton	12

#### Description

Type	LED Surface Downlight
Connection	Wire

#### Electrical Parameters

Gr. Power	10W ±5%
InputVoltage	AC100-277V
Driver	Internal
Dimmable	Not dim.

#### Lighting Parameters

Beam Angle	50
Colors	2700°K; 3000°K; 4000°K
Lumens	820-990
CRI	90Ra

#### Structure Parameters

Fixture Color	White; Black
Cover	Stripped
Dimensions	dia90*90mm

#### Protection Parameters

Rating	Indoor Use/UGR<19
Electrical Class	Class I <input type="checkbox"/> Class II <input checked="" type="checkbox"/> Class III <input type="checkbox"/>
Lifetime	>50.000h
Warranty (Years)	5

#### Options

Dimmable	Triac <input checked="" type="checkbox"/> 0-10V <input checked="" type="checkbox"/> 1-10V <input type="checkbox"/> DALI <input checked="" type="checkbox"/>
CRI	>90Ra <input type="checkbox"/> >92Ra <input type="checkbox"/> >95Ra <input type="checkbox"/> >98Ra <input type="checkbox"/>
Other	Reflector: Dark light technology; Optional: IP44