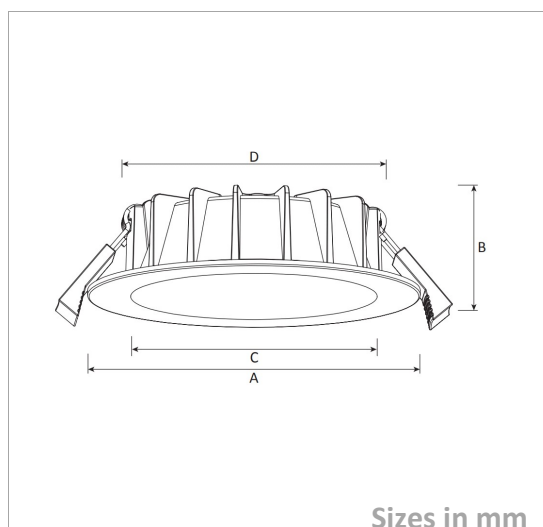


Downlight Water resistant

DWR225-210-IP54-25W CCT

Picture



Packing

UnitVolum (CBM)	0,0041412
Unit GW (kg)	0,8
Qty per carton	12

Description

Type	LED Downlight Water resistant
Connection	Wire

Electrical Parameters

Gr. Power	25W ±5%
InputVoltage	AC200-240V
Driver	External
Dimmable	Not dim.

Lighting Parameters

Beam Angle	90
Colors	CCT adjust.
Lumens	2130-2380
CRI	80Ra

Structure Parameters

Fixture Color	White
Cover	Milky
Dimensions	A:225*B:34*C:173*D:185mm

Protection Parameters

Rating	IP54/750°GW
Electrical Class	Class I <input type="checkbox"/> Class II <input checked="" type="checkbox"/> Class III <input type="checkbox"/>
Lifetime	>50.000h
Warranty (Years)	3

Options

Dimmable	Triac <input checked="" type="checkbox"/> 0-10V <input checked="" type="checkbox"/> 1-10V <input type="checkbox"/> DALI <input checked="" type="checkbox"/>
CRI	>90Ra <input type="checkbox"/> >92Ra <input type="checkbox"/> >95Ra <input type="checkbox"/> >98Ra <input type="checkbox"/>
Other	