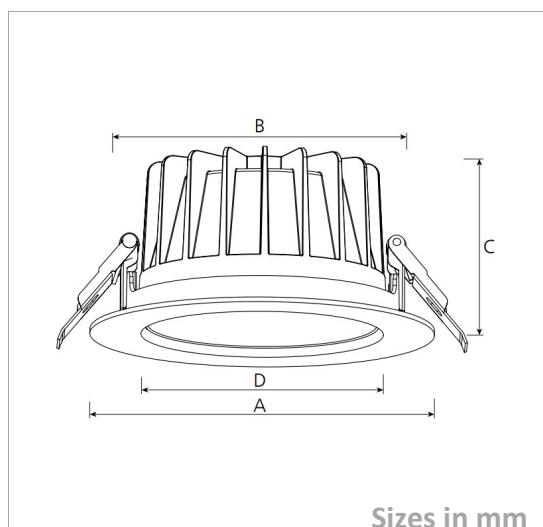
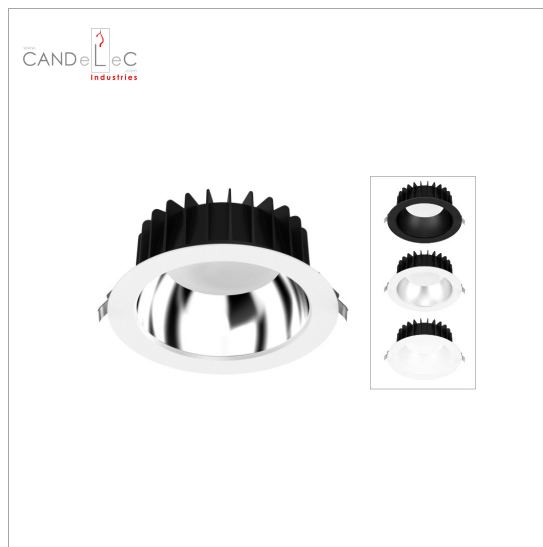


Downlight Water resistant

DWR145-179-IP54-18W

Picture



Packing

Unit Volum (CBM)	0,00408
Unit GW (kg)	0,555
Qty per carton	18

Description

Type	LED Downlight Water resistant
Connection	Wire

Electrical Parameters

Gr. Power	18W ±5%
Input Voltage	AC200-240V
Driver	External
Dimmable	Not dim.

Lighting Parameters

Beam Angle	80
Colors	3000°K; 4000°K; 5000°K; 5700°K
Lumens	1650-1800
CRI	80Ra

Structure Parameters

Fixture Color	White; Black; Silver
Cover	Clear
Dimensions	145(A)*78(C)*102(D)mm (hole(B))

Protection Parameters

Rating	IP54/IK06/850°GW
Electrical Class	Class I <input type="checkbox"/> Class II <input checked="" type="checkbox"/> Class III <input type="checkbox"/>
Lifetime	>50.000h
Warranty (Years)	3

Options

Dimmable	Triac <input checked="" type="checkbox"/> 0-10V <input type="checkbox"/> 1-10V <input type="checkbox"/> DALI <input type="checkbox"/>
CRI	>90Ra <input type="checkbox"/> >92Ra <input type="checkbox"/> >95Ra <input type="checkbox"/> >98Ra <input type="checkbox"/>
Other	Optional: Flicker free driver; CCT switch; Reflector: White, Black, Silver matt, Chrome