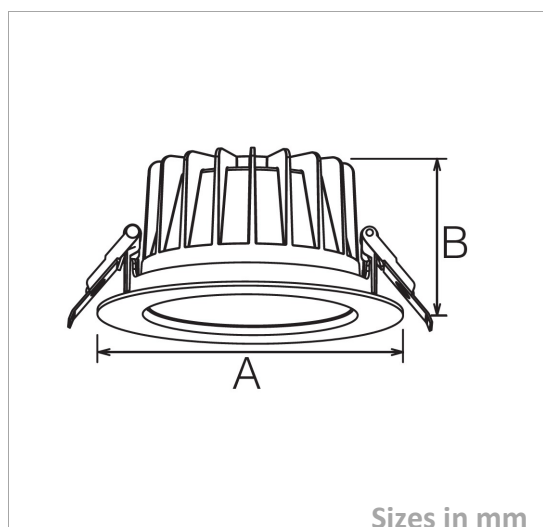


## Downlight Water resistant

### DWR145-178-P-18W

#### Picture



#### Packing

UnitVolum (CBM)	0,00434928
Unit GW (kg)	0,67
Qty per carton	18

#### Description

Type	LED Downlight Water resistant
Connection	Wire

#### Electrical Parameters

Gr. Power	18W ±5%
InputVoltage	AC200-240V
Driver	Included
Dimmable	Not dim.

#### Lighting Parameters

Beam Angle	24/36/60
Colors	2700°K; 3000°K; 4000°K; 5000°K
Lumens	2020-2250
CRI	80Ra

#### Structure Parameters

Fixture Color	White; Black; Silver; Chrome
Cover	Lens
Dimensions	dia A:145*B:78mm (hole 125-135)

#### Protection Parameters

Rating	IP54 (front); UGR<19
Electrical Class	Class I <input type="checkbox"/> Class II <input checked="" type="checkbox"/> Class III <input type="checkbox"/>
Lifetime	>50.000h
Warranty (Years)	3

#### Options

Dimmable	Triac <input checked="" type="checkbox"/> 0-10V <input type="checkbox"/> 1-10V <input type="checkbox"/> DALI <input type="checkbox"/>
CRI	>90Ra <input type="checkbox"/> >92Ra <input type="checkbox"/> >95Ra <input type="checkbox"/> >98Ra <input type="checkbox"/>
Other	Optional: Reflector: White, Black, Silver matt (UGR <25), Bright silver (UGR<19)