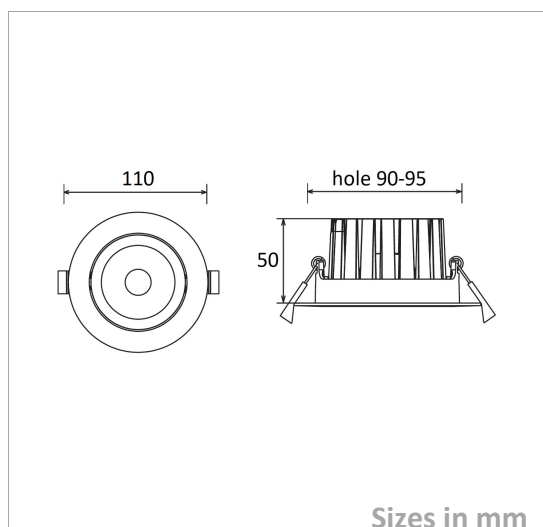


## Downlight Water resistant

### DWR110-C-COB-IP65-10W

#### Picture



#### Packing

UnitVolum (CBM)	0,0023664
Unit GW (kg)	0,5
Qty per carton	30

#### Description

Type	LED Downlight Water resistant
Connection	Wire

#### Electrical Parameters

Gr. Pow. (in W $\pm$ 5%)	10
InputVoltage	AC200-240V
Driver	Included
Dimmable	Not dim.

#### Lighting Parameters

Beam Angle	36/60
Colors	2700°K; 3000°K; 4000°K; 5000°K
Lumens	860-1000(630-750 cri90)
CRI	80Ra

#### Structure Parameters

Fixture Color	White; Black
Cover	Clear
Dimensions	dia110*50mm (hole 90-95)

#### Protection Parameters

Rating	IP65
Electrical Class	Class I <input checked="" type="checkbox"/> Class II <input type="checkbox"/> Class III <input type="checkbox"/>
Lifetime	>50.000h
Warranty (Years)	3

#### Options

Dimmable	Triac <input checked="" type="checkbox"/> 0-10V <input type="checkbox"/> 1-10V <input type="checkbox"/> DALI <input type="checkbox"/>
CRI	>90Ra <input checked="" type="checkbox"/> >92Ra <input type="checkbox"/> >95Ra <input type="checkbox"/> >98Ra <input type="checkbox"/>
Other	