

## Downlight

### DWC92.175-P-14W

#### Picture



#### Description

Type	LED Downlight
Connection	Wire

#### Electrical Parameters

Gr. Power	14W ±5%
InputVoltage	AC200-240V
Driver	Lifud
Dimmable	Not dim.

#### Lighting Parameters

Beam Angle	25/38/55
Colors	2700°K; 3000°K; 4000°K
Lumens	1400-1700
CRI	90Ra

#### Structure Parameters

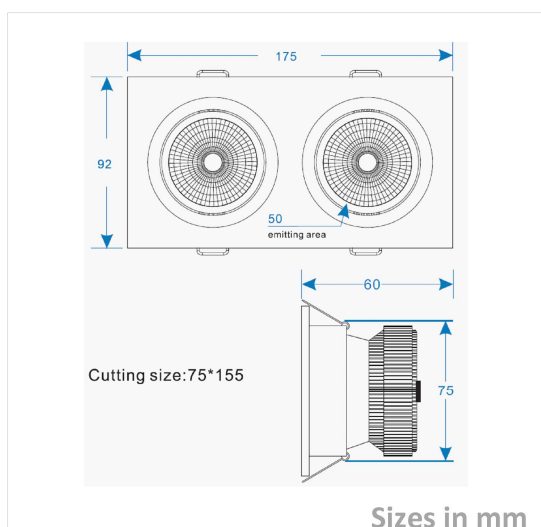
Fixture Color	White; Black; Silver
Cover	Center-frosted; Clear; Frosted
Dimensions	92*175*60mm (hole155* 75)

#### Protection Parameters

Rating	Indoor Use
Electrical Class	Class I <input type="checkbox"/> Class II <input checked="" type="checkbox"/> Class III <input type="checkbox"/>
Lifetime	LM79/LM80
Warranty (Years)	5

#### Options

Dimmable	Triac <input checked="" type="checkbox"/> 0-10V <input type="checkbox"/> 1-10V <input checked="" type="checkbox"/> DALI <input checked="" type="checkbox"/>
CRI	>90Ra <input type="checkbox"/> >92Ra <input type="checkbox"/> >95Ra <input type="checkbox"/> >98Ra <input type="checkbox"/>
Other	Optional: 110°; special CCT; IP54



#### Packing

UnitVolum (CBM)	0,00329428125
Unit GW (kg)	0,66
Qty per carton	16