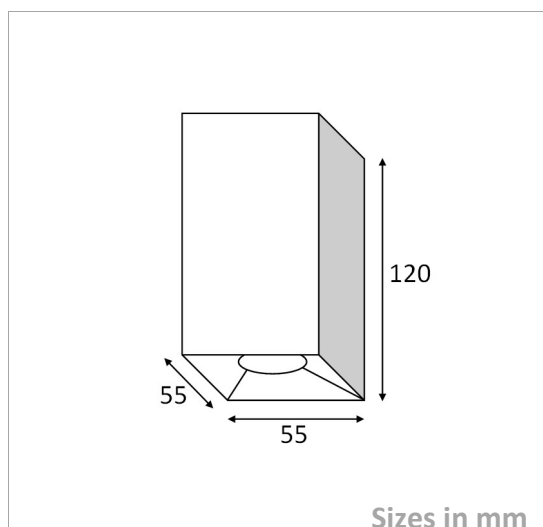


Surface Downlight

DWC55.55-SF-P-7W

Picture



Packing

UnitVolum (CBM)	0,0034884
Unit GW (kg)	0,9
Qty per carton	24

Description

Type	LED Surface Downlight
Connection	Wire

Electrical Parameters

Gr. Power	7W ±5%
InputVoltage	AC100-277V
Driver	Internal
Dimmable	Not dim.

Lighting Parameters

Beam Angle	15/30/45
Colors	2700°K; 3000°K; 4000°K
Lumens	570-690
CRI	90Ra

Structure Parameters

Fixture Color	White; Black
Cover	Semi-opal
Dimensions	55*55*120mm

Protection Parameters

Rating	Indoor Use/UGR<19
Electrical Class	Class I <input type="checkbox"/> Class II <input checked="" type="checkbox"/> Class III <input type="checkbox"/>
Lifetime	>50.000h
Warranty (Years)	5

Options

Dimmable	Triac <input checked="" type="checkbox"/> 0-10V <input checked="" type="checkbox"/> 1-10V <input type="checkbox"/> DALI <input checked="" type="checkbox"/>
CRI	>90Ra <input type="checkbox"/> >92Ra <input type="checkbox"/> >95Ra <input type="checkbox"/> >98Ra <input type="checkbox"/>
Other	Optional: IP44; IP65; Reflector: Black/White/Silver/Golden; Pendant installation