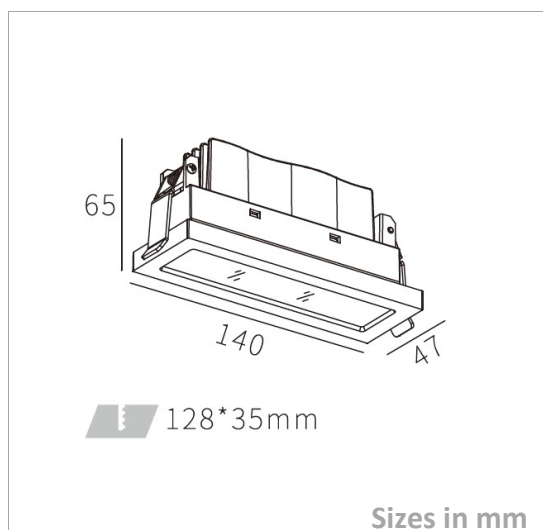


Downlight Water resistant

DWC140.47-P-10W IP44

Picture



Packing

UnitVolum (CBM)	0,00172125
Unit GW (kg)	0,42
Qty per carton	24

Description

Type	LED Downlight Water resistant
Connection	Wire

Electrical Parameters

Gr. Power	10,5W ±5%
InputVoltage	AC220-240V
Driver	Included
Dimmable	Not dim.

Lighting Parameters

Beam Angle	15/30/50
Colors	2700°K; 3000°K; 4000°K; 5000°K;
Lumens	500-600
CRI	90Ra

Structure Parameters

Fixture Color	White; Black; Silver
Cover	Clear
Dimensions	140*47*65(128*35)mm

Protection Parameters

Rating	IP44
Electrical Class	Class I <input type="checkbox"/> Class II <input type="checkbox"/> Class III <input checked="" type="checkbox"/>
Lifetime	>50.000h
Warranty (Years)	2

Options

Dimmable	Triac <input type="checkbox"/> 0-10V <input type="checkbox"/> 1-10V <input checked="" type="checkbox"/> DALI <input checked="" type="checkbox"/>
CRI	>90Ra <input type="checkbox"/> >92Ra <input type="checkbox"/> >95Ra <input type="checkbox"/> >98Ra <input type="checkbox"/>
Other	