

Downlight

DWC140.280-P-40W

Picture



Description

Type	LED Downlight
Connection	Wire

Electrical Parameters

Gr. Power	40W ±5%
InputVoltage	AC200-240V
Driver	Lifud
Dimmable	Not dim.

Lighting Parameters

Beam Angle	20/38/60/110
Colors	2700°K; 3000°K; 4000°K
Lumens	3800-4500
CRI	90Ra

Structure Parameters

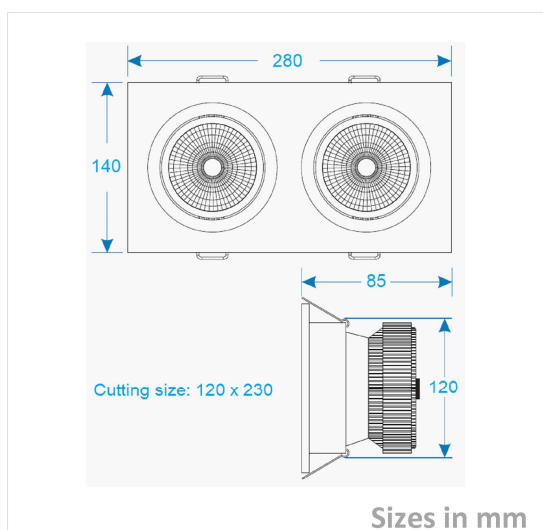
Fixture Color	White; Black; Silver
Cover	Center-frosted; Clear; Frosted
Dimensions	140*280*85mm (hole 230*120)

Protection Parameters

Rating	Indoor Use
Electrical Class	Class II
Lifetime	LM79/LM80
Warranty (Years)	5

Options

Dimmable	Triac <input checked="" type="checkbox"/> 0-10V <input type="checkbox"/> 1-10V <input checked="" type="checkbox"/> DALI <input checked="" type="checkbox"/>
CRI	>90Ra <input type="checkbox"/> >92Ra <input type="checkbox"/> >95Ra <input checked="" type="checkbox"/> >98Ra <input type="checkbox"/>
Other	Optional: 110°; special CCT; IP54



Packing

UnitVolum (CBM)	0,00954822
Unit GW (kg)	2
Qty per carton	6