

Downlight

COB2-DWR96-12W

Picture



Description

Type	LED Downlight
Connection	Wire

Electrical Parameters

Gr. Power	12W ±5%
InputVoltage	AC200-240V
Driver	Lifud
Dimmable	Not dim.

Lighting Parameters

Beam Angle	25/38/55
Colors	3000°K; 4000°K; 6000°K
Lumens	1100-1500
CRI	90Ra

Structure Parameters

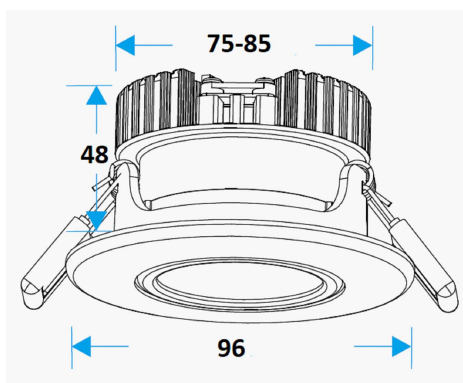
Fixture Color	White; Black; Silver
Cover	Clear
Dimensions	dia96*48mm (hole75-85)

Protection Parameters

Rating	IP33/UGR<19
Electrical Class	Class I <input type="checkbox"/> Class II <input checked="" type="checkbox"/> Class III <input type="checkbox"/>
Lifetime	LM79/LM80
Warranty (Years)	5

Options

Dimmable	Triac <input checked="" type="checkbox"/> 0-10V <input type="checkbox"/> 1-10V <input checked="" type="checkbox"/> DALI <input checked="" type="checkbox"/>
CRI	>90Ra <input type="checkbox"/> >92Ra <input type="checkbox"/> >95Ra <input checked="" type="checkbox"/> >98Ra <input type="checkbox"/>
Other	Optional: other CCT; IP54; Honeycomb Louver



Sizes in mm

Packing

UnitVolum (CBM)	0,0016351875
Unit GW (kg)	0,396
Qty per carton	48