

Bollard Light

BOLLARD21B-500-9W

Picture



Description

Type LED Bollard Light
Connection Wire

Electrical Parameters

Gr. Power 9W ±5%
InputVoltage AC100-240V
Driver Internal
Dimmable Not dim.

Lighting Parameters

Beam Angle 360
Colors 3000°K
Lumens 800
CRI 80Ra

Structure Parameters

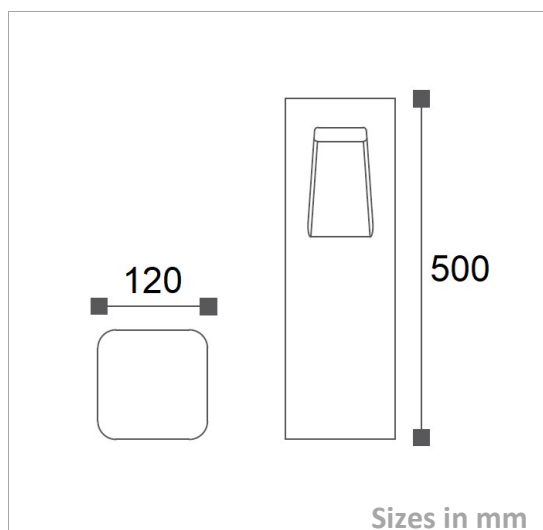
Fixture Color Black; Silver; Dark grey
Cover PC
Dimensions 120*120*500mm

Protection Parameters

Rating IP65
Electrical Class Class I Class II Class III
Lifetime >50.000h
Warranty (Years) 3

Options

Dimmable Triac 0-10V 1-10V DALI
CRI >90Ra >92Ra >95Ra >98Ra
Other



Sizes in mm

Packing

UnitVolum (CBM) 0,01841355
Unit GW (kg) 0
Qty per carton 4