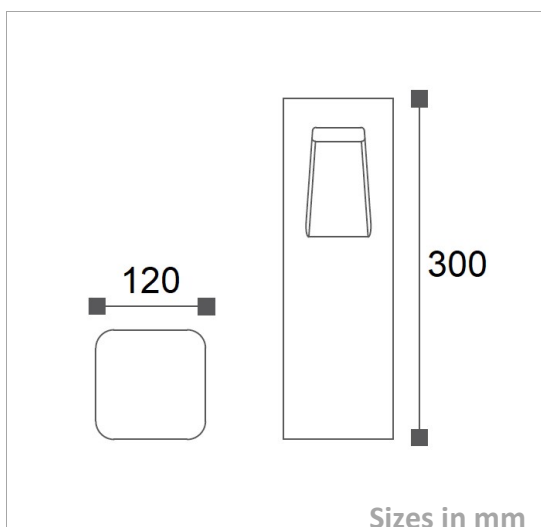


Bollard Light

BOLLARD21B-300-9W

Picture



Packing

UnitVolum (CBM)	0,00953955
Unit GW (kg)	0
Qty per carton	4

Description

Type	LED Bollard Light
Connection	Wire

Electrical Parameters

Gr. Power	9W ±5%
InputVoltage	AC100-240V
Driver	Internal
Dimmable	Not dim.

Lighting Parameters

Beam Angle	360
Colors	3000°K
Lumens	800
CRI	80Ra

Structure Parameters

Fixture Color	Black; Dark grey
Cover	PC
Dimensions	120*120*300mm

Protection Parameters

Rating	IP65/IK08
Electrical Class	Class I
Lifetime	>50.000h
Warranty (Years)	3

Options

Dimmable	Triac <input type="checkbox"/> 0-10V <input type="checkbox"/> 1-10V <input type="checkbox"/> DALI <input type="checkbox"/>
CRI	>90Ra <input type="checkbox"/> >92Ra <input type="checkbox"/> >95Ra <input type="checkbox"/> >98Ra <input type="checkbox"/>
Other	Available in 500, 800mm and wall mounted type